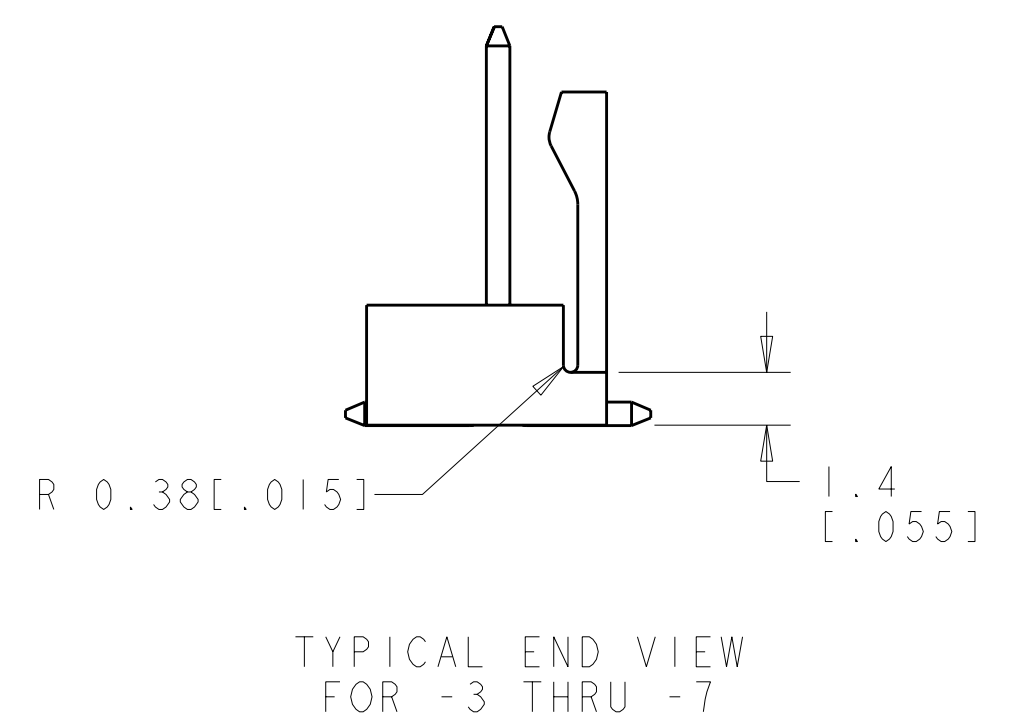
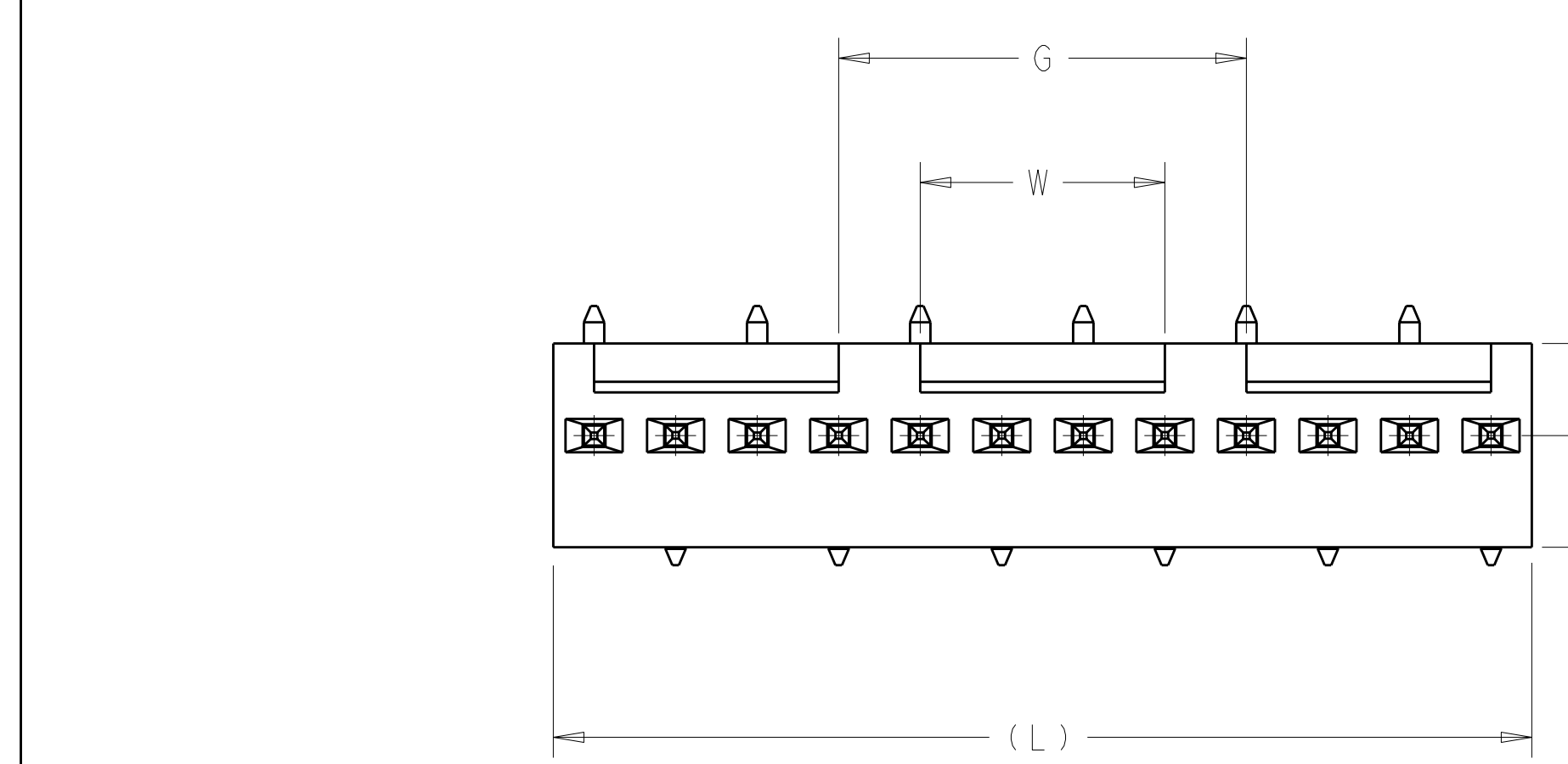
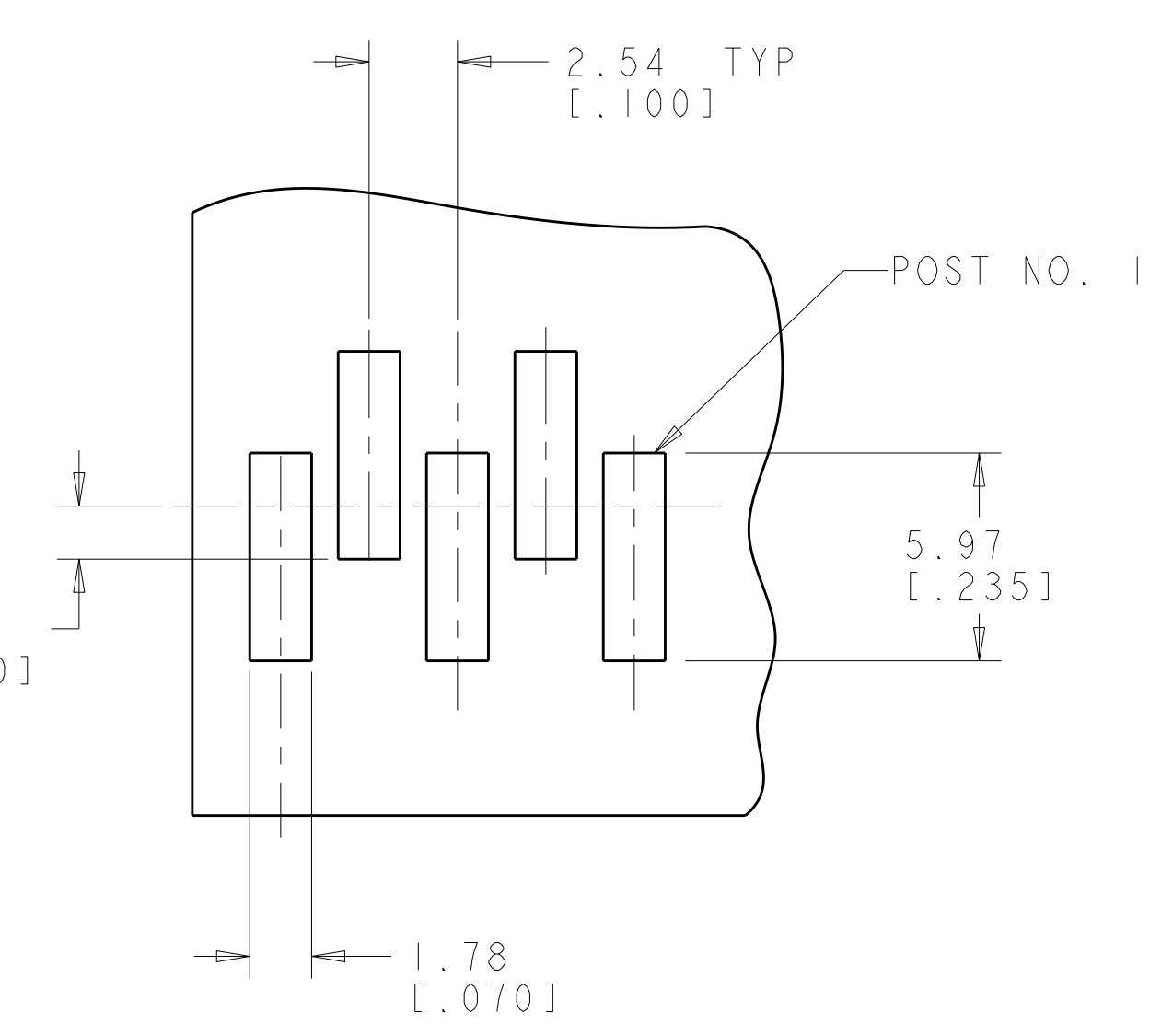
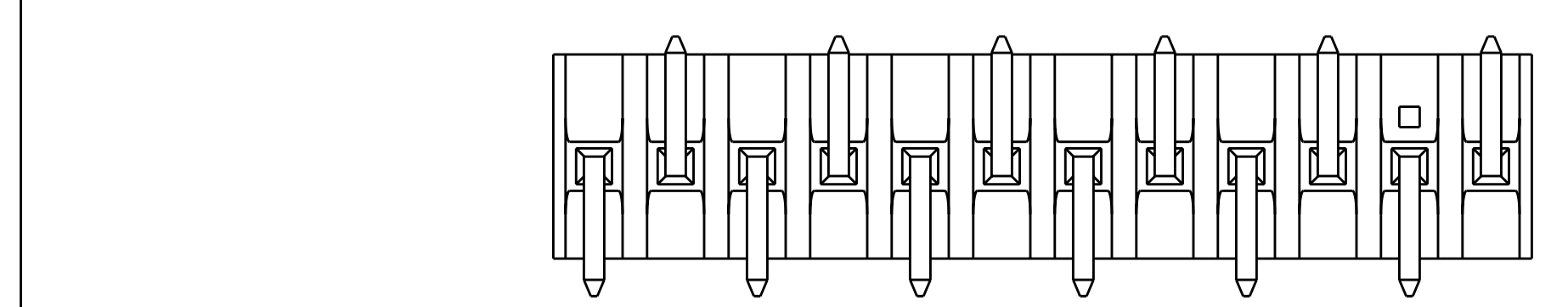
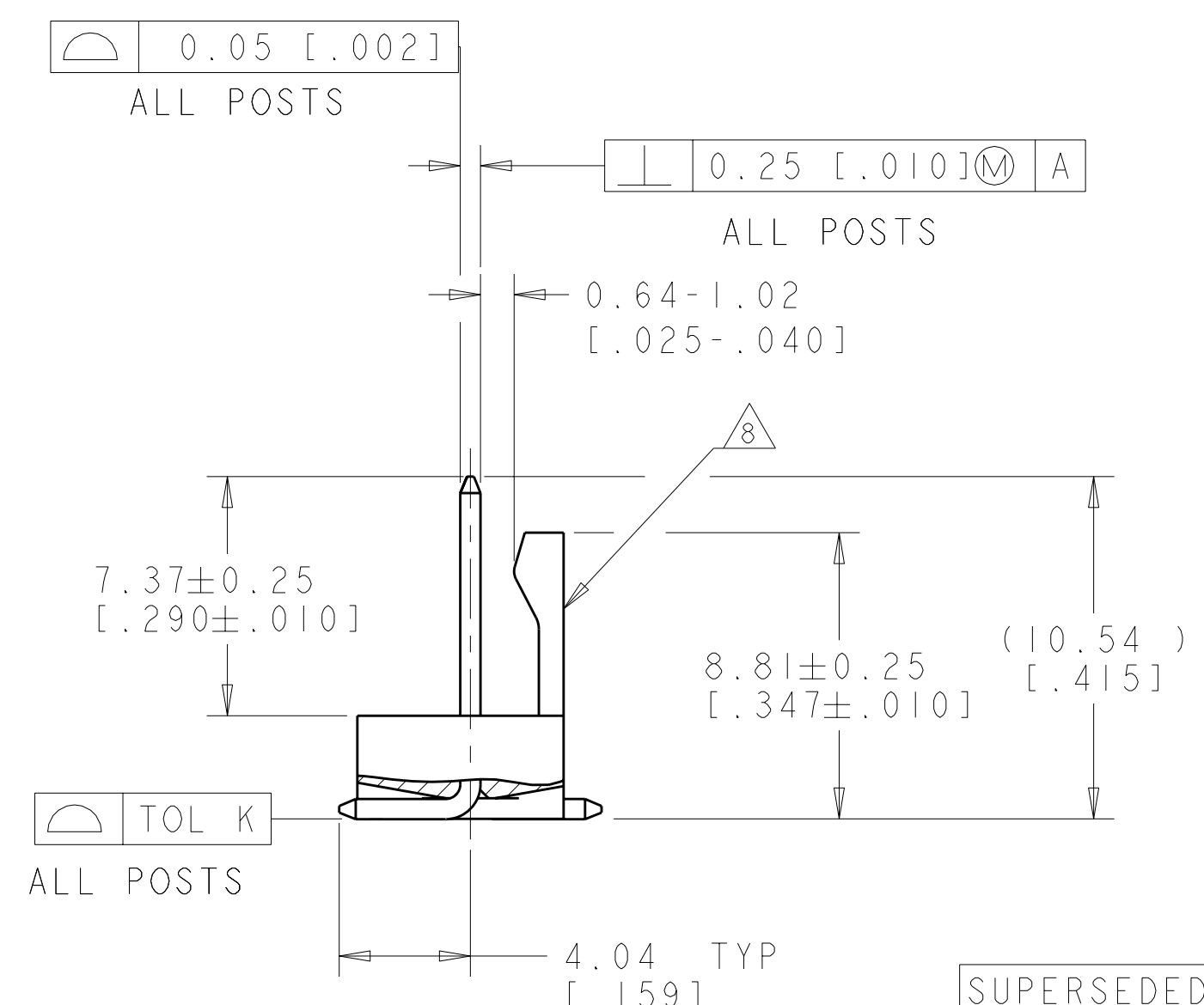
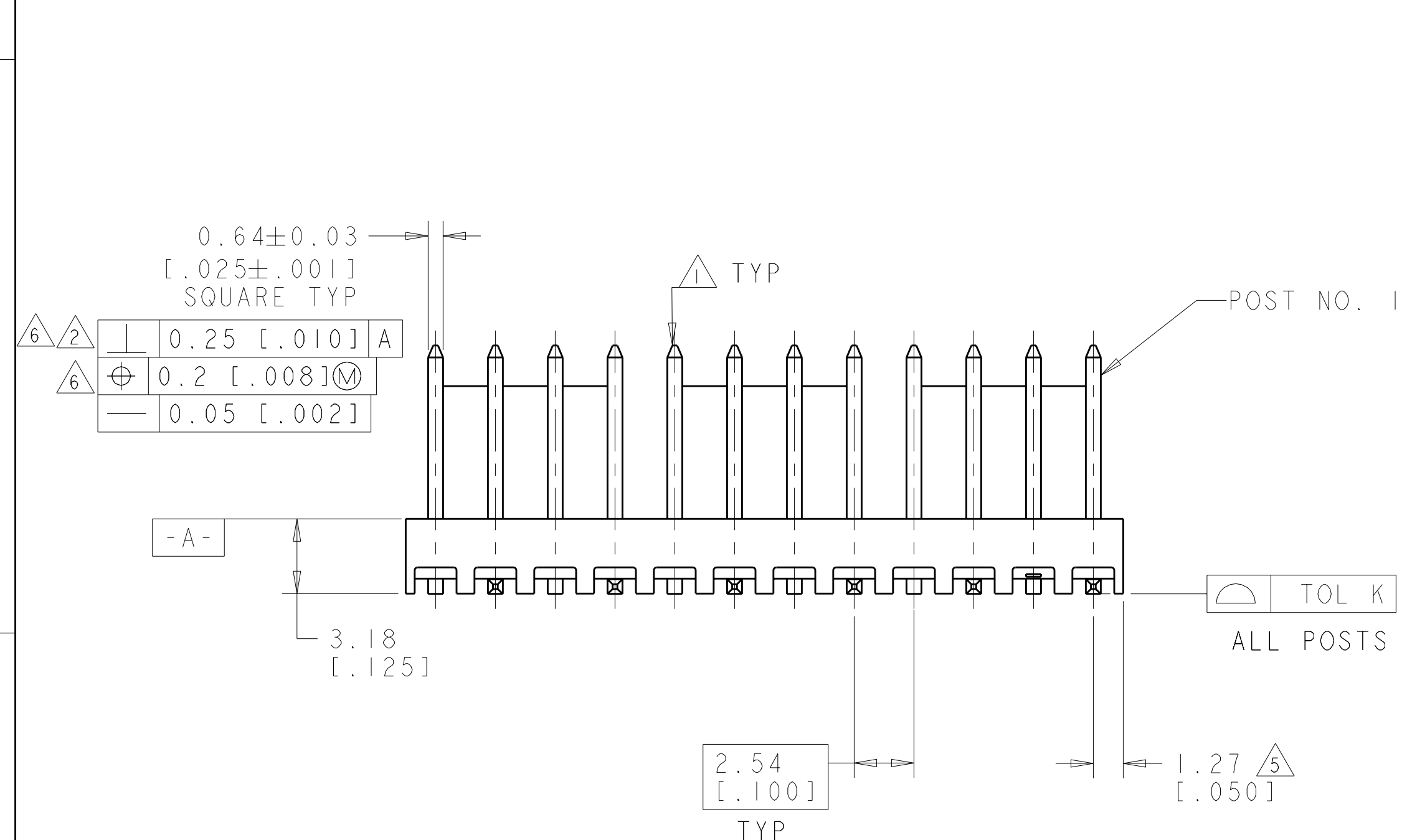


LOC	DIST	REV	DATE	BY	APPD
CM	00	NI	24JAN2008	KW	DB



- △ POST WITHSTAND 13 NEWTONS (3 LBS) MIN AXIAL FORCE IN DIRECTION SHOWN WITHOUT DISLODGING.
- △ MEASURED AT -A-.
- 3. PARTS COMPLY WITH SOLDERABILITY SPEC 109-11-2.
- △ MATERIAL: HOUSING: NYLON, 4/6, HIGH TEMP, BLACK.
POST -2 THRU -12 COPPER ALLOY TIN LEAD (93/7) PLATING.
POST -32 THRU -42 COPPER ALLOY TIN PLATING.
- △ COORDINATE DIMENSION APPLIES FROM CENTER OF ACTUAL FEATURE.
- △ POSTS TO BE MEASURED WHEN STRIP HELD FLAT.
- 7. DIMENSIONS IN BRACKETS ARE IN INCHES.
- △ AMP LOGO, UL, AND CSA TRADEMARKS TO APPEAR ON THIS SURFACE.



	0.20 [0.008]	12.70 [0.500]	27.94 [1.100]	45.72 [1.800]	18	4-647166-8
SUPERSEDED BY 647166-MXCU	0.20 [0.008]	12.70 [0.500]	17.78 [0.700]	35.56 [1.400]	14	4-647166-4
SUPERSEDED BY 647166-MXCU	0.15 [0.006]	7.62 [0.300]	12.70 [0.500]	30.48 [1.200]	12	4-647166-2
	0.15 [0.006]	-	10.16 [0.400]	27.94 [1.100]	11	4-647166-1
	0.15 [0.006]	-	7.62 [0.300]	25.40 [1.000]	10	4-647166-0
	0.15 [0.006]	-	5.08 [0.200]	22.86 [0.900]	9	3-647166-9
	0.15 [0.006]	-	2.54 [0.100]	20.32 [0.800]	8	3-647166-8
	0.15 [0.006]	-	-	17.78 [0.700]	7	3-647166-7
	0.15 [0.006]	-	-	15.24 [0.600]	6	3-647166-6
	0.15 [0.006]	-	-	12.70 [0.500]	5	3-647166-5
	0.15 [0.006]	-	-	10.16 [0.400]	4	3-647166-4
	0.15 [0.006]	-	-	7.62 [0.300]	3	3-647166-3
	0.15 [0.006]	-	-	5.08 [0.200]	2	3-647166-2
SUPERSEDED BY 647166-MXCU	0.20 [0.008]	12.70 [0.500]	27.94 [1.100]	45.72 [1.800]	18	1-647166-8
SUPERSEDED BY 647166-MXCU	0.20 [0.008]	12.70 [0.500]	17.78 [0.700]	35.56 [1.400]	14	1-647166-4
	0.15 [0.006]	7.62 [0.300]	12.70 [0.500]	30.48 [1.200]	12	1-647166-2
	0.15 [0.006]	-	10.16 [0.400]	27.94 [1.100]	11	1-647166-1
	0.15 [0.006]	-	7.62 [0.300]	25.40 [1.000]	10	1-647166-0
	0.15 [0.006]	-	5.08 [0.200]	22.86 [0.900]	9	647166-9
	0.15 [0.006]	-	2.54 [0.100]	20.32 [0.800]	8	647166-8
	0.15 [0.006]	-	-	17.78 [0.700]	7	647166-7
	0.15 [0.006]	-	-	15.24 [0.600]	6	647166-6
	0.15 [0.006]	-	-	12.70 [0.500]	5	647166-5
	0.15 [0.006]	-	-	10.16 [0.400]	4	647166-4
	0.15 [0.006]	-	-	7.62 [0.300]	3	647166-3
	0.15 [0.006]	-	-	5.08 [0.200]	2	647166-2
TOL K		W	G	L	NO OF POSN	PART NO

RECOMMENDED MOUNTING HOLE PATTERN FOR USE WITH 0.25 [0.010] THICK STENCIL



TYCO ELECTRONICS CORPORATION
 THIS IS SUBJECT TO CHANGE WITHOUT NOTICE AND WITHOUT OBLIGATION
 UNLESS OTHERWISE SPECIFIED IN THIS DRAWING OR IN THE LATEST REVISION

DIMENSIONS: mm [INCHES]	TOLERANCES UNLESS OTHERWISE SPECIFIED:	9 PLC ±	14-NOV-2001	DWN: WHITAKER	14-NOV-2001
1 PLC ±0.13 [0.005]	5 PLC ±	14-NOV-2001	CHK: D. BOSSI	TYCO Electronics	Tyco Electronics Harrisburg, PA 17105-3608
4 PLC ±	ANGLES ±	14-NOV-2001	APVD: D. BOSSI	NAME: MTA-100 HEADER ASSEMBLY, SURFACE MOUNT, FRICTION LOCK, .025 SQUARE STRAIGHT POST, TIN OR TIN-LEAD PLATED	RESTRICTED TO
FINISH: △	FINISH: △	APVD: D. BOSSI	PRODUCT SPEC	SIZE: CAGE CODE DRAWING NO	SCALE: 5:1
		APVD: D. BOSSI	APPLICATION SPEC	WEIGHT: -	REV: NI
		APVD: D. BOSSI	WEIGHT: -	CUSTOMER DRAWING	